

# FX | LUMINAIRE®

## ML-20



MICROLUCE® | FX LUMINAIRE®

### ORGANIC SHAPE, ENGINEERED QUALITY

The FX Luminaire® halogen lamp MicroLuce® was developed to fill the need for an unobtrusive specification grade wall light that would introduce glare-free illumination onto safety and circulation areas.

This patent pending 12v unit is a perfect choice for high traffic public areas or walls near people-water such as resort applications. An innovative adjustable lamp mount allows the installer to fine tune beam projection to suit project needs.

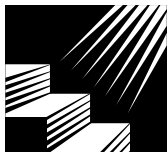
Solid brass and composite construction make this model a lasting value. Its deep cowl and recessed lamp position, when located and installed properly, allows pedestrians to view uphill without dangerous glare. Obviously, glare-free illumination should be the primary function of any fixture that is designed to provide safe passage through foot traffic hazards.

### BLENDS IN ANYWHERE

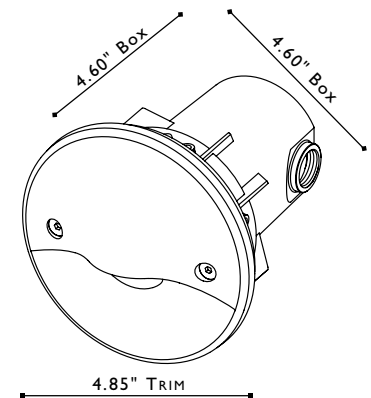
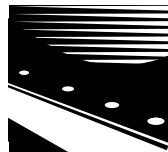
The solid brass faceplate trim has an organic shape that doesn't speak of a specific architecture which allows the MicroLuce® to be specified on projects of all ages.

Brass will develop a penny brown or moss green patina with age depending on exposure. This process will happen naturally over time or can be accelerated with solution spray. For patina formulas visit our website at [www.FXL.com/patina](http://www.FXL.com/patina).

#### STAIRWAY LIGHTING



#### PERIMETER LIGHTING



# MICROLUCE® – ORDERING INFORMATION

The ML comes standard with 20 watt Halogen AR-11, Spread Lens, and the faceplate in Brass (BS).

## STANDARD PARTS:



## STANDARD OPTIONS:

1 + 2 + 3 ORDERED TOGETHER ON SAME LINE

## AVAILABLE LAMP CONFIGURATIONS:

Your choice of one lamp will come pre-installed.

FIXTURE/CODE	WATTAGE/CODE	DESCRIPTION
--------------	--------------	-------------

1	ML	2	HALOGEN® LAMP OPTIONS:
		20H	20 watt Halogen, wide, 32° beam, Avg. life 2000 hours

## STANDARD FINISH OPTIONS:

Brass is standard. All other choices must be specified.

CODE	DESCRIPTION
BS	Brass <i>(will naturally patina)</i>

## NON-STOCKING FINISH OPTIONS:

Allow extra time for the following finish options:

3	CODE	DESCRIPTION
	BZ	Bronze Metallic
	DG	Desert Granite
	BF	Black Wrinkle
	VF	Verde Speckle
	SB	Sedona Brown
	WF	White Wrinkle
	WI	Weathered Iron
	NP	Nickel Plate

## ORDERING SAMPLE:

SECTIONS:	DESCRIPTION:	WHAT TO ORDER:
1 + 2 + 3 <small>optional</small>	+  +	= ML-20H

## PHOTOMETRICS:

Spacing for minimum footcandle illumination on level ground.  
 Note: 1fc for commercial projects  
 .3fc for residential projects

ML-20 4' for 1fc, 6' for .3fc

wall	ƒ	Footcandle Power
2'	1'	32
	2'	8.5
4'	3'	2.1
	4'	1.0
6'	5'	.5
	6'	.3
8'		

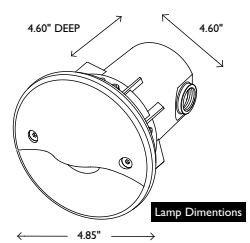
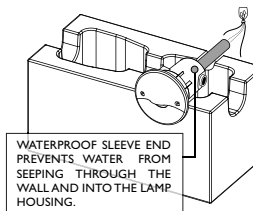
Distance from Center ML-20

For conversion to lumens: Multiply footcandles × 10. See FX glossary for a full description of fc and lumens.

## WALL MOUNT INSTALL DETAIL:

INSTALL FX LUMINAIRE MICROLITE AS SHOWN USING 16 GAUGE CABLE AND PROVIDED WIRE NUTS.

### Install Option A In-wall Direct Burial Method



USE FOR HORIZONTAL LIGHTING ONLY!

THIS FIXTURE IS DESIGNED FOR DOWNLIGHTING ONLY! DO NOT USE FOR UPLIGHTING.

### Install Option B In-wall Daisy Chain Method

SECTION/ELEVATION  
 GRAY (OR BLUE) ENT CONDUIT WITH STRANDED THIN WIRE, SIZED TO MATCH WATTAGE LOAD

