

FX | LUMINAIRE®
 RL-10, RL-20



ROTONDOLUNA® | FX LUMINAIRE®

SOFT LIGHT,
 STRONG LUMINAIRE

When trying to create a super soft washlight there are very few well engineered products for today's lighting designer. The patent pending RotondoLuna® is specifically designed to gently illuminate small scale plant material, boulders, and short garden walls. Halogen lamp model produces a high-efficiency white light. The xenon lamp has a mellow golden light output for enriching earth tone elements.

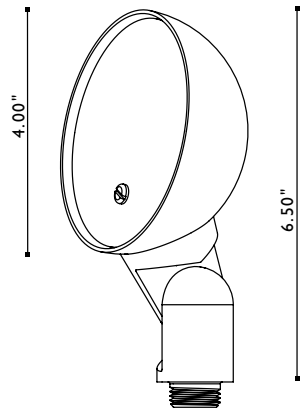
At FX, we engineer fixtures from the inside out. Our use of semi precious metals, aerospace sealants and materials is without peer. This commitment to excellence provides your client with decades of problem-free ownership.

Compare FX copper luminaires with any other, and you will find a dramatic difference in quality of materials, precision of fit and consistency of finish.



LIGHTING EFFECTS
 WITH THE RL

To wall wash with the RL, the fixtures should be installed 12-18" from the base of the wall, 6-8' on center thereby creating an even illumination. This technique is very efficient because it highlights the wall and then reflects a soft, glare-free ambient glow onto the surrounding area. When spotlights are placed behind plant material or a garden element and aimed at an adjacent wall to create a backdrop, it allows the viewer to enjoy the silhouette form of the object only. This technique is useful when trying to showcase very dense plant material that has interesting structure.



Note: This fixture is designed for uplighting only.

SHADOWING



EFFECTS



WALL WASHING



ROTONDO LUNA® – ORDERING INFORMATION

RL comes standard with a 20 watt Xenon G4 lamp, Super Slot Spike®, and in Copper (CU).

STANDARD PARTS:



ORDERING SAMPLE:

SECTIONS:	DESCRIPTION:	WHAT TO ORDER:
1 + 2 + 3 <small>optional</small>	+ +	= RL-20
A	CapannaDiNoce®	= CDS

STANDARD OPTIONS:

1 + 2 + 3 ORDERED TOGETHER ON SAME LINE

AVAILABLE LAMP CONFIGURATIONS:

Your choice of one lamp will come pre-installed.

FIXTURE/CODE	WATTAGE/CODE	AVG. LIFE HOUR
1 RL 	2 XENON LAMP OPTIONS:	
	10	10,000
	20	5000
	HALOGEN (H) LAMP OPTIONS:	
	10H	2000
	20H	2000
	35H	2000

STANDARD FINISH OPTIONS:

Copper is standard. All other choices must be specified.

CODE	DESCRIPTION
CU	Copper <i>(will naturally patina)</i>

NON-STOCKING FINISH OPTIONS:

Allow extra time for the following finish options:

	3 BZ	Bronze Metallic
	DG	Desert Granite
	BF	Black Wrinkle
	VF	Verde Speckle
	SB	Sedona Brown
	WF	White Wrinkle
	WI	Weathered Iron
	NP	Nickel Plate

NON-STANDARD OPTIONS:

MUST BE ORDERED ON SEPARATE LINE!

ADDITIONAL MOUNTING OPTIONS:

Comes pre-assembled with Super Slot Spike®.

All other mounting options will arrive in separate box.

CODE	DESCRIPTION	SIZE
A CDS	CapannaDiNoce®	2.00" x 10.00"
SJ	SuperJ-boX®	2.50" x 12.00"
PM	PostMount®	2.50" x 13.00"