

FX | LUMINAIRE®
TC-20

DOWNLIGHTING



TRAVECASA® | FX LUMINAIRE®

TIME TESTED, FLEXIBLE AND DURABLE

The TraveCasa® is at home in fine landscape architectural structures such as arbors, trellises or dining pavilions.

This fixture is designed to surface mount onto beams or posts. The halogen lamp is adjustable to allow maximum forward projection making this unique model well suited for illuminating steps or color pots from adjacent structures.

Milled from very heavy gauge, solid copper with stainless hardware, this luminaire will enhance any fine lighting project. The false bottom internal plate obscures wirenut connection for a clean finish.

The white powder coated unit looks great in a small modern trellis design – the copper TC works well in craftsman style structures.

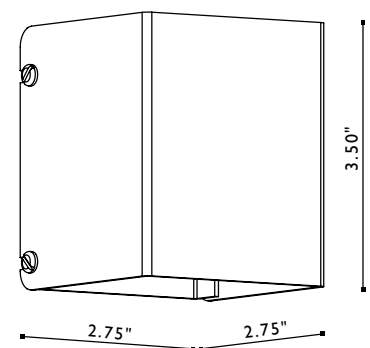


BLENDS IN EFFORTLESSLY

The key to successful outdoor lighting is to incorporate the equipment into the structures or garden without introducing a conflicting design element. The TC's simple geometric form allows it to disappear into any fine trellis or arbor.

The copper will patina naturally over time and can be accelerated with solution spray. For patina formulas visit our website at www.FXL.com/patina.

Note: This fixture is designed for downlighting only.



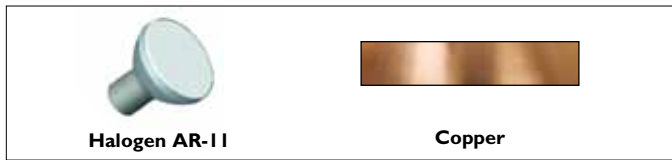
ARCHITECTURAL ACCENTS



TRAVECASA® – ORDERING INFORMATION

The TC comes standard with any watt Halogen AR-11 lamp and in Copper (CU).

STANDARD PARTS:



ORDERING SAMPLE:

SECTIONS:	DESCRIPTION:	WHAT TO ORDER:
1 + 2 + 3 <small>optional</small>	+ +	= TC-20

STANDARD OPTIONS:

1 + 2 + 3 ORDERED TOGETHER ON SAME LINE

AVAILABLE LAMP CONFIGURATIONS:

Your choice of one lamp will come pre-installed.

FIXTURE/CODE	WATTAGE/CODE	DESCRIPTION
<div style="display: flex; align-items: center;"> <div style="background-color: #e91e63; color: white; padding: 5px; margin-right: 10px;">1</div> <div style="border: 1px solid black; padding: 5px; margin-right: 10px;">TC</div> <div style="background-color: #e91e63; color: white; padding: 5px; margin-right: 10px;">2</div> <div style="background-color: #e91e63; color: white; padding: 5px;">HALOGEN (H) LAMP OPTIONS:</div> </div>	20H	20 watt Halogen, wide 32° beam Avg. life 2000 hours
	20N-H	20 watt Halogen, narrow, 18° beam, Avg. life 2000 hours;
	20V-H	20 watt Halogen, very narrow, 6° beam, Avg. life 2000 hours

STANDARD FINISH OPTIONS:

Copper is standard. All other choices must be specified.

	CODE	DESCRIPTION
	CU	Copper <i>(will naturally patina)</i>

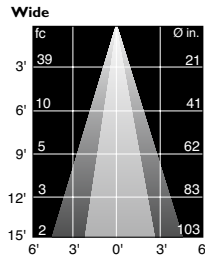
NON-STOCKING FINISH OPTIONS:

Allow extra time for the following finish options:

	3		
	BZ	Bronze Metallic	
	DG	Desert Granite	
	BF	Black Wrinkle	
	VF	Verde Speckle	
	SB	Sedona Brown	
	WF	White Wrinkle	
	WI	Weathered Iron	
	NP	Nickel Plate	

PHOTOMETRICS:

20 OR 35 WATT WIDE



Key:

∅: Denotes the circle diameter, in inches, at that distance from lamp (3, 6, 9', etc.)

fc: footcandle; for approximate conversion to lumens, multiply footcandles by 10.

TRELLIS MOUNT INSTALL DETAIL:

FX LUMINAIRE TRAVE CASA FIXTURE
SEE LIGHTING PLAN FOR LAMP
CONFIGURATION AND
FIXTURE COLOR.

THE FX LUMINAIRE LAMP
IS ADJUSTABLE
IN THREE DIFFERENT
PLANES
UP - DOWN
SIDE - SIDE
FRONT - BACK

USE FX LUMINAIRE
SUPPLIED WIRE NUTS

1/2" KNOCKOUT FOR
CABLE ROUTING THROUGH
REAR END OF FIXTURE

USE FX LUMINAIRE SUPPLIED
MOUNTING SCREWS

PULL CABLE THRU BACK
OF POST THEN MAKE CONNECTION
ON THE INSIDE OF THE TRAVE CASA
FIXTURE.

COVER POST GROOVE WITH A 1" X 4" OR
6" WIDE PLANT ON.

4" BY OR 6" BY POST WITH 1/2"
ROUTED SLOT ON THE INSIDE FRONT
FACE OF THE POST.

