

FX | LUMINAIRE®  
 TS-20, TS-35, TS-50

DOWNLIGHTING



TRELLISSOLARE® | FX LUMINAIRE®

SMOOTH, PRECISE  
 MOONLIGHTING

Our TrellisSolare® is currently the most advanced micro downlight available. Machined from aerospace grade aluminum alloy and finished with an industrial grade polyester powdercoat, the TS is built to last. The mounting base swivels and pivots on nylon bushings, allowing for smooth, precise aiming after installation.

This fixture is an outdoor "track light" giving the exterior lighting designer a full range of previously interior only lighting effects. Deep cowl provides unsurpassed glare control, thereby avoiding hot spots typical of most downlights.

Because of its micro size and high intensity, the TS-20 is a natural for moonlighting from small trees and downlighting from medium size patio trees. Specify TS-50 for larger specimens and controlled lighting.

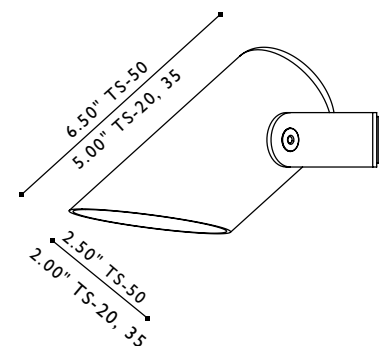


LANDSCAPE TRACK LIGHT

With a lamp range from 20–50 watts, the TS series can introduce glare-free illumination to a wide variety of outdoor environments. This trellis provides a perfect platform for the TS, and the white finish blends in perfectly.

The copper will patina naturally over time and can be accelerated with solution spray. For patina formulas visit our website at: [www.FXL.com/patina](http://www.FXL.com/patina).

**Note: This fixture is designed for downlighting only.**



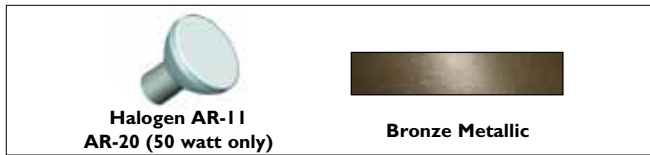
ARCHITECTURAL ACCENTS    DOWNLIGHTING



# TRELLISOLARE® - ORDERING INFORMATION

The TS comes standard with any watt Halogen AR lamp and in Bronze Metallic (BZ).

## STANDARD PARTS:



## STANDARD OPTIONS:

1 + 2 + 3 ORDERED TOGETHER ON SAME LINE

## AVAILABLE LAMP CONFIGURATIONS:

Your choice of one lamp will come pre-installed.

FIXTURE/CODE	WATTAGE/CODE	DESCRIPTION
<b>1</b> TS 	<b>2 HALOGEN (H) LAMP OPTIONS:</b>	
	20H	20 watt Halogen, wide 32° beam Avg. life 2000 hours
	20N-H	20 watt Halogen, narrow, 18° beam, Avg. life 2000 hours;
	20V-H	20 watt Halogen, very narrow, 6° beam, Avg. life 2000 hours
	50H	50 watt Halogen AR-20, wide 25° beam Avg. life 2000 hours
	50N-H	50 watt Halogen AR-20, narrow 10° beam Avg. life 2000 hours
	<b>HALOGEN (H) LAMP OPTIONS:</b>	
	35H	35 watt Halogen MR-11, wide 32° beam Avg. life 2000 hours

## STANDARD FINISH OPTIONS:

Bronze Metallic is standard. All other choices must be specified.



## NON-STOCKING FINISH OPTIONS:

Allow extra time for the following finish options:

CODE	DESCRIPTION
<b>3</b> CU	Copper <i>(will naturally patina)</i>
DG	Desert Granite
BF	Black Wrinkle
VF	Verde Speckle
SB	Sedona Brown
WF	White Wrinkle
WI	Weathered Iron
NP	Nickel Plate

## ORDERING SAMPLE:

SECTIONS:	DESCRIPTION:	WHAT TO ORDER:
1 + 2 + 3 <small>optional</small>	+  +	= TS-20-CU
A	VersaBoX	= VB

## NON-STANDARD OPTIONS:

A MUST BE ORDERED ON SEPARATE LINE!

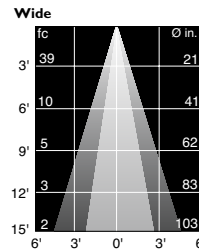
## ADDITIONAL MOUNTING OPTIONS:

All mounting options will arrive in separate box.

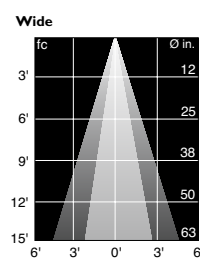
CODE	DESCRIPTION	SIZE
<b>A</b> MJ-TS	Mini J-Box®	3.50" x 2.125" x 1.320"
VB-TS	VersaBoX®	2.50" x 2.00"

## PHOTOMETRICS:

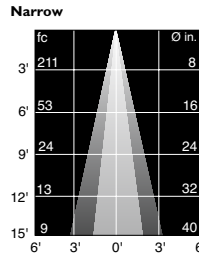
### 20 WATT WIDE



### 35 WATT WIDE



### 50 WATT NARROW



**Key:**  
 ø: Denotes the circle diameter, in inches, at that distance from lamp (3, 6, 9', etc.)

**fc:** footcandle; for approximate conversion to lumens, multiply footcandles by 10.